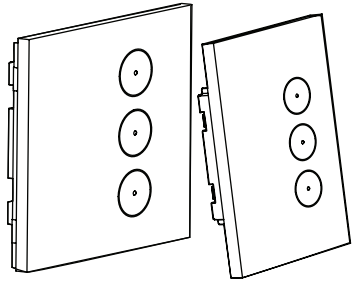
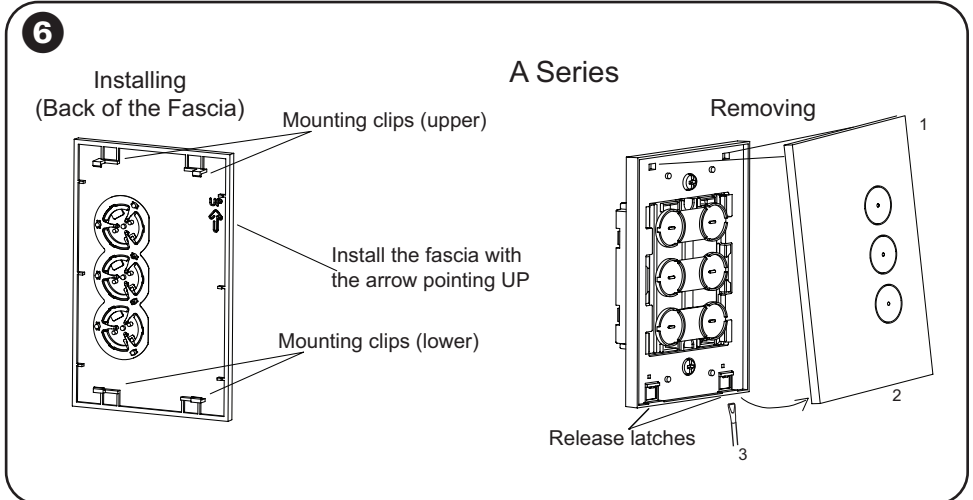
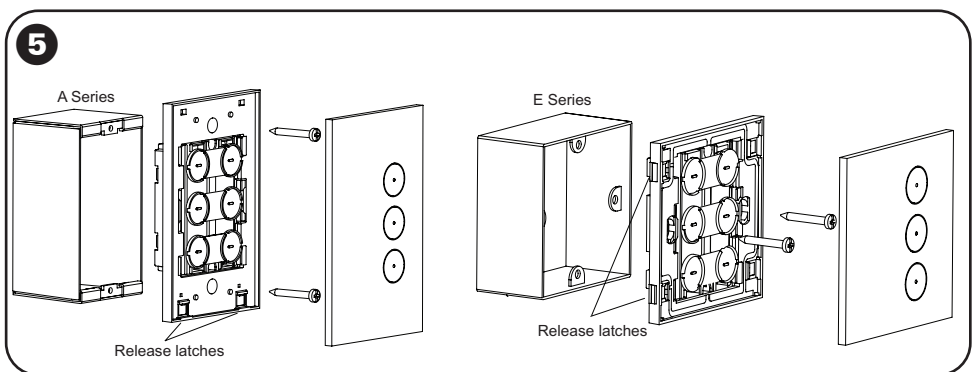
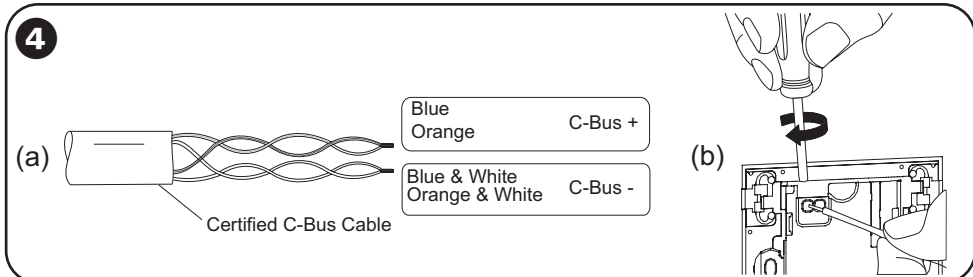
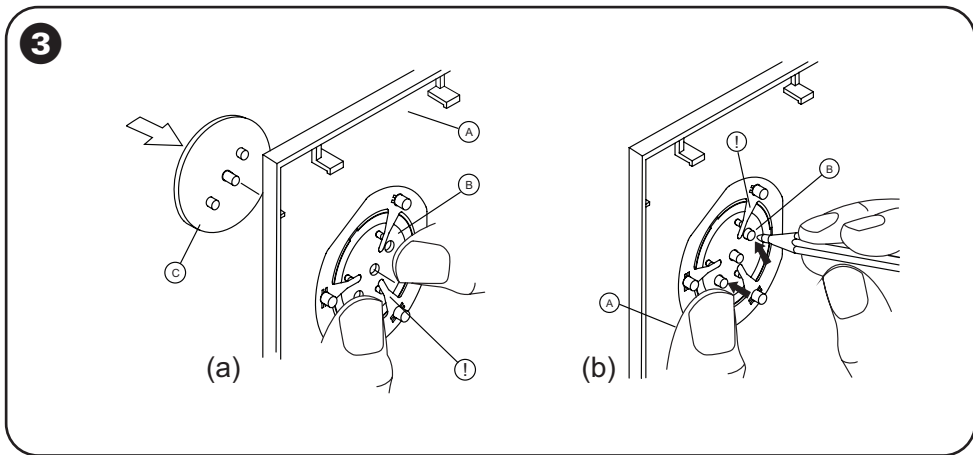
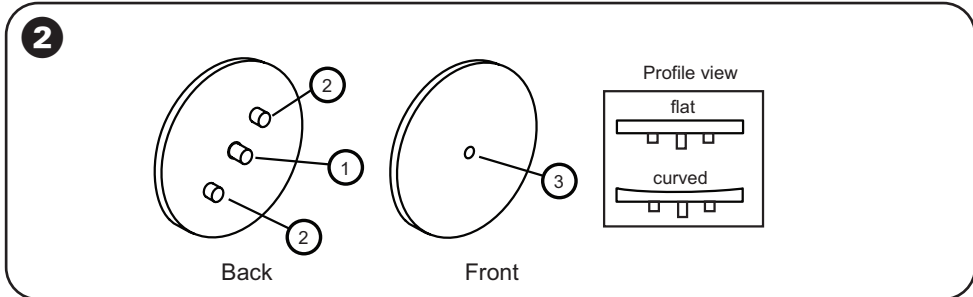
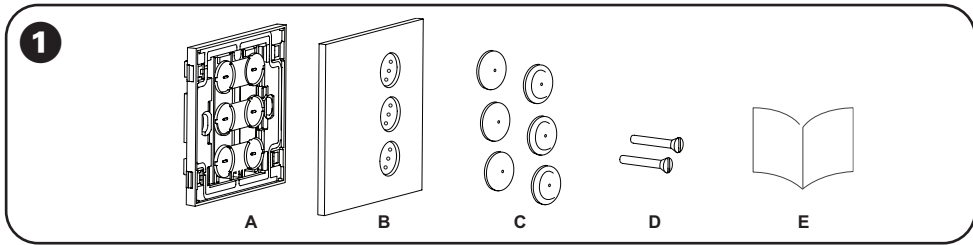


SpaceLogic C-Bus Saturn Zen



R504xx ER504xx



en SpaceLogic C-Bus Saturn Zen Wall Plates

Introduction

The SpaceLogic C-Bus is a lighting control and building automation system that controls and automates lighting and other electrical systems in a commercial or residential building.

SpaceLogic C-Bus Saturn Zen wall plates are available with 1,2,3 and 4 keys, which can be programmed to perform various functions, including on/off switch, dimmer control, timer and many other customisable options.

Saturn Zen wall plates have indicators equipped with RGB LEDs, where each indicator can be configured independently.

The wall plates have integrated temperature and humidity sensors, enabling temperature and humidity information via the C-Bus Measurement Application.

Product Range

Series	Catalog Number	Description
A	R5041xx	1 button
	R5042xx	2 button
	R5043xx	3 button
	R5044xx	4 button
E	ER5041xx	1 button
	ER5042xx	2 button
	ER5043xx	3 button
	ER5044xx	4 button

* Saturn Zen Wall plates are available with several fascia styles.

*xx - ZW for Zen White and ZB for Zen Black colour fascia.

For Your Safety

⚠️ DANGER

HAZARD OF ELECTRIC SHOCK, EXPLOSION, OR ARC FLASH

This product must be installed and serviced by appropriately qualified and/or licensed professional in accordance with the local wiring rules.

- Do not connect the wall plates to mains voltage, the wall plates are only to be connected to the C-Bus network. Isolate the electrical supply before doing any work on the product.
- To comply with all safety standards, the product must be used only for the purpose described in this instruction and must be installed in accordance with the wiring rules and regulation in the location where it is installed. Do not use this product for any other purpose than specified in this instruction.
- Do not attempt to open the product casing or perform any action on the internal components of the product.

Failure to follow these instructions will result in death or serious injury.

⚠️ WARNING

INCORRECT C-BUS CABLE CONNECTION

The C-Bus network cabling is classified as Separated Extra-Low Voltage (SELV) wiring. To maintain this requirement, the approved C-Bus cable is used.

- Ensure an adequate separation and/or segregation of the C-Bus cable from other wiring (for example Low Voltage wiring) is maintained throughout the entire installation.
- Ensure the C-Bus network cable is installed in accordance with the SELV wiring rules and regulations of the jurisdiction.

Failure to follow these instructions can result in death, serious injury, or equipment damage.

⚠️ CAUTION

EQUIPMENT DAMAGE

Do not place or remove the buttons when the wall plate is mounted.

Failure to follow these instructions can result in injury or equipment damage.

NOTICE

It is important to select the right location to install the C-Bus Saturn Zen wall plate. Some considerations are listed below:

- For indoor use only.
- Allow adequate ventilation.
- Units may be mounted vertically or horizontally.
- Choose a location free of water, humidity, direct sunlight and heavy dust.
- Do not cover the unit.
- Provide easy access to the unit for switching lights and selecting scenes.
- Locate the wall plates as close as possible to C-Bus power supplies to minimize any voltage drop.

Failure to follow these instructions can result in equipment damage.

NOTICE

MEGGER TESTING

Megger testing must never be performed on any cable while connected to the product as it could degrade the performance of the product and/or the network.

Failure to follow these instructions can result in equipment damage.

1 Package contents

- A Plate Body
- B Front Fascia Panel
- C Button caps
- D Screws (2)

Note: Wall Box purchased separately.

2 Selecting the Button Caps

Choose either the flat or curved buttons to populate the apertures in the front fascia, both types are included with the plate. The buttons are pressed fit in the apertures and no tools are required.

Ref No	Feature	Description
1	Center post/light rail	The post centres the button on the button seat and provides a light path for the indicator LED in the plate body.
2	Retainer posts	These posts are a press fit with the two holes in the button seat.
3	Lens	Light from the indicator LED exits from the lens.

IMPORTANT:

- Hold the fascia firmly in one hand while installing or removing buttons. Do not attempt to install or remove buttons if the fascia is installed on the plate body.
- Avoid contact with the retainer spring during button installation or removal. The spring is adjusted at the factory and can be damaged by careless handling.
- To unseat a button you should use a pointed tool such as a small screwdriver or pencil.
- Keep any unused buttons for future use.

3 (a) Installing Buttons

To install a button in the front fascia, follow the below instructions.

- Examine the button seat B on the back side of the front fascia A. Notice that there are three holes in a straight line.
- Remove a button C from the bag (choose between flat and curved buttons).
- Hold the fascia A firmly in one hand with the back facing you.
- Place the back side of the button C in the aperture on the front side of the fascia A and align the three button posts with the corresponding holes in the button seat B.
- Using only finger pressure, press on the button seat B with your thumbs. Apply pressure on the front of the button C face with your fingers.
- Repeat for all apertures.

(b) Removing Buttons

A small screwdriver is needed to remove the button from the fascia.

- Hold the fascia firmly in one hand and support the front with your fingers. Avoid contact with the spring(!).
- Using one thumb A to keep the button seat stable, press firmly with the tool on each of the two retainer posts B until button is free to move.
- Remove the button and keep it for future use. You are now ready to install another button in the aperture

4 C-Bus Network Connection

Connection to the C-Bus network is made using an unshielded twisted pair C-Bus Cable.

Use only C-Bus certified cable, which is identifiable by its pink sheath.

For C-Bus cable, refer
Catalogue number: 5005C305B (solid)
Catalogue number: 5005C305BST (stranded)

Twist or crimp the wire pairs together as illustrated in (a). The method of attachment is illustrated in (b).

Note: Do not use soldered connections, as they are not reliable.

Do not connect C-Bus negative to earth or any other circuit.

5 Mounting Instructions

'A' Series Spacelogic C-Bus plates suit standard rectangular 84mm centre mounting accessories. It is recommended that wall boxes be Earthed.

'E' Series Spacelogic C-Bus wall plates suit standard square 60.3mm centre mounting accessories.

Note: Mounting accessories must be fitted a minimum distance of 10mm back from the finished surface of the wall. When mounting vertically, fit the grid plate to the wall with the release locks at the bottom.

6 Installing and Removing the Fascia

(a) Installing the Fascia

Each fascia has 4 mounting clips.

Note: Be careful not to damage the clips as this will cause a poor fit on the plate body.

Each fascia has an UP arrow at the back for the proper placement of the plate over the corresponding switch mechanism.

To install the 'A' Series fascia, the fascia is held in place by two release latches at the BOTTOM of the plate body.

To install the 'E' Series fascia, the fascia is held in place by the four release latches on the SIDES of the plate body.

(b) Removing the Fascia

To remove the fascia, support the plate body to prevent damage.

On the 'A' Series plate,

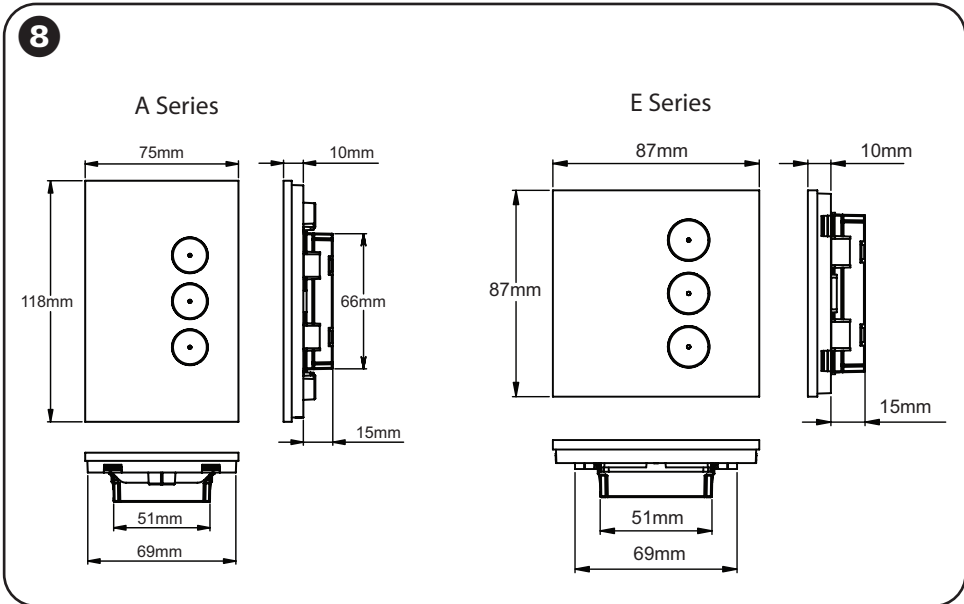
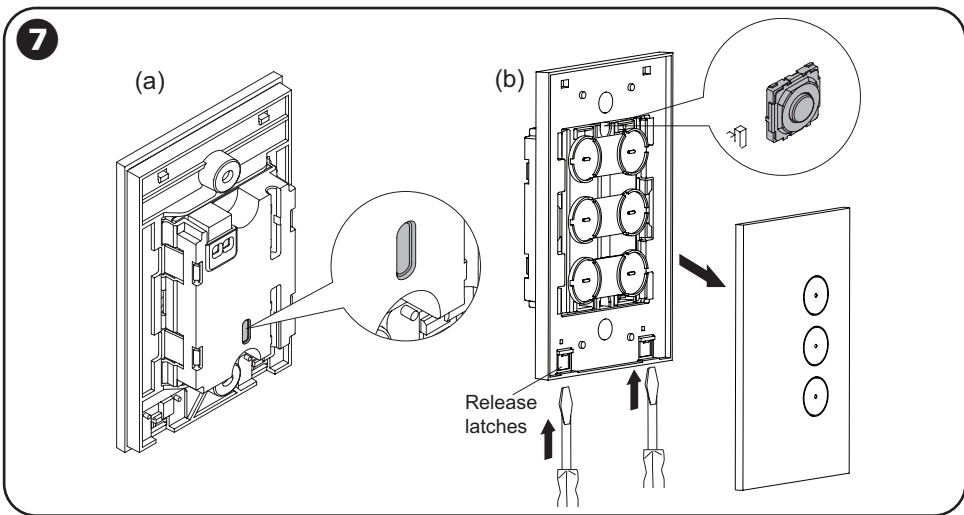
- Place the upper mounting clips in the recesses in the plate body.
- Place the lower mounting clips against the release latches in the plate body.
- Using a small screwdriver, push upward on each of the release latches to engage the lower mounting clips.

On the 'E' Series plate,

- Hold the 4 mounting clips against the release latches in the plate body.
- Using a small screwdriver, push sideways on each of the release latches to engage the 4 mounting clips.



GEX98207



Configuration and Commissioning

Configuration and Commissioning of the unit is done by the C-Bus connection using the "SpaceLogic C-Bus Commission" software which can be downloaded from the URL: <http://www.se.com>

The unit can be powered by the USB Type C connection to perform the configuration prior to the installation.

7 Firmware Update

The SpaceLogic C-Bus Commission software will notify if a firmware update is required. The update requires a connection to the USB Type C connector (a) at the back of the wall plate and is performed using the SpaceLogic C-Bus Commission software. All required firmware files will be included and authenticated as part of the latest SpaceLogic C-Bus Commission software release. Reset button (b) is provided for recovery purposes only. Do not press unless instructed.

8 Specifications

Parameter	'A' Series	'E' Series
Dimensions (WxHxD)	75x118x25mm	87x87x25mm
Protrusion From Wall	10mm	10mm
Weight	54g	39g
Mounting Centres	84mm	60.3mm
Base Depth (into wall)	15mm	15mm
C-Bus Supply Voltage	20 to 36V d.c C-Bus Current Consumption 22 mA	
Control Functions	Load switching, dimming, timers, scene control	
Status Indicators	User configurable RGB	
C-Bus Connection	One terminal block to accommodate 0.2 mm ² to 1.3 mm ² (24 to 16 AWG)	
Operating Temperature Range	0 to 45°C	
Operating Humidity Range	10 to 95%, non-condensing	
Product Compliance	UK CA CE	

Schneider Electric Industries SAS

If you have technical questions, contact the Customer Care Centre in your country.

se.com/contact.

Warranty

For Warranty information and service, visit

se.com/contact.

Declaration

This product is in compliance with the applicable directive and standards. Declarations of conformity can be downloaded on: se.com/docs.