

PHILIPS

Dynalite

Integration Devices

PDEB Ethernet Bridge



Project: _____
Location: _____
Cat.No: _____
Type: _____
Lamps: _____ Qty: _____
Notes: _____

Inexpensive Ethernet integration

The Philips Dynalite PDEB provides a standard Ethernet connection to a Philips lighting control system in applications ranging from tunnels to hotel rooms. It provides bridging functionality between an Ethernet backbone and DyNet devices.

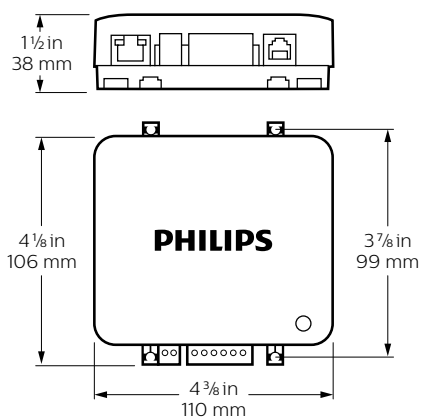
Built-in web server: Provides control and status via Common Gateway Interface (CGI) protocol.

No technical skills needed: Inbuilt timeclock and schedule manager allow the user to manage operation and task scheduling without advanced technical knowledge.

Powerful custom task engine: Allows users or third-party systems to run macros such as 'After Hours', 'Shut Down', 'Welcome' and more.

Versatile mounting options: Hybrid mounting clips allow the device to be mounted on a DIN-rail or to any flat surface.

Dimensions



Ordering Code

Product	Philips 12NC
PDEB	913703240009

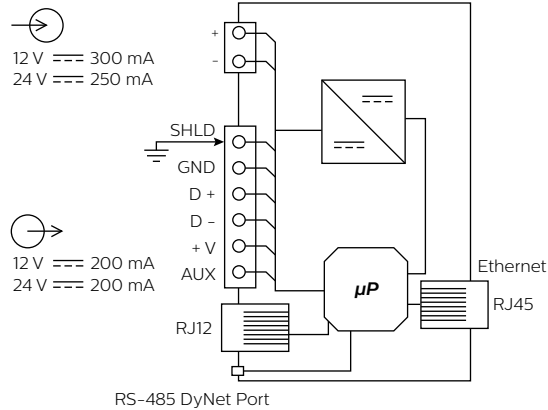
Accessories	Philips 12NC
DDNP1501 (12 VDC network power supply)	913703090309
DMNP24040-P-NA (24 VDC network power supply)	913703580309

PDEB Ethernet Bridge

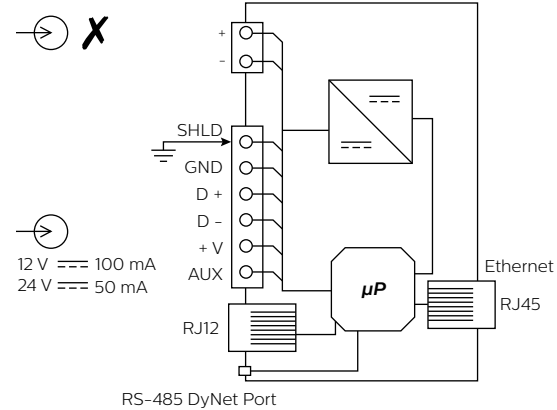
Dynalite – Inexpensive Ethernet integration

Electrical

SELV/CLASS 2 supply with full DyNet load



DyNet supply



Physical

Dimensions (H x W x D)	4.17 x 4.33 x 1.50 in (106 x 110 x 38 mm)
Packed Weight	0.46 lb (0.21 kg)
Construction	Low profile DIN-rail polycarbonate (6 unit)
Serial Ports	1 x RJ12 1 x 6-way pluggable screw terminal
Serial Port Conductor Size	2.5 mm ² (#12 AWG) (max)
Communication Ports	1 x RJ45
Supply Terminals	1 x 2-way pluggable screw terminal
Supply Terminal Conductor Size	2.5 mm ² (#12 AWG) (max)

Electrical

Supply Type	DC* or DyNet
Supply Voltage	12/24 VDC
Supply Current (DC) (+ DyNet Load)	50 mA @ 12 V 250 mA @ 24 V
DyNet Supply Current	50 mA @ 12 V 250 mA @ 24 V
DyNet Load	200 mA (max)†
IEC Overvoltage Category	III
Environment	
Operating temp	-4° to 122°F ambient (-20° to 50°C)
Storage/Transport temp	-13° to 158°F ambient (-25° to 70°C)
Humidity	0 to 90% non-condensing
IEC Pollution Degree	II

Control

Serial Ports	1 x RS-485
Communication Ports	1 x Ethernet (10/100 baseT)
Supported Protocols	DyNet TCP/IP (TCP, UDP) IPv4, IPv6
Dry Contact Inputs	1 (AUX)
User Input	1 x service switch
Indicators	1 x service LED

Compliance

Certification	CE, RCM, UL/cUL, FCC, ICES, RoHS
---------------	----------------------------------

* From external regulated SELV / Class 2 supply.
† If powered from external supply.



© 2018 Philips Lighting Holding B.V. All rights reserved. Philips reserves the right to make changes in specifications and/or to discontinue any product at any time without notice or obligation and will not be liable for any consequences resulting from the use of this publication.



Philips Lighting North America Corporation
200 Franklin Square Drive, Somerset, NJ 08873
Tel. 855-486-2216

Philips Lighting Canada Ltd.
281 Hillmount Rd, Markham, ON, Canada L6C 2S3
Tel. 800-668-9008