

R5045EDL**



en SpaceLogic C-Bus
Saturn Zen eDLT Wall Plate

Quick Start Guide

Introduction

The C-Bus Saturn Zen enhanced DLT (eDLT) wall plate is designed for ease of controlling and monitoring a range of functions, such as light switching, dimming, blind or shutter control and ceiling fan speed control.

These features make installing the eDLT wall plate quick and easy:

- Detachable C-Bus wiring flylead supplied with unit and also sold in packs of 5.
- Mounting plate supplied with the unit and also sold in boxes of 5.
- Magnets in the wall plate grid hold the unit on the mounting plate.
- The setup screen is displayed indefinitely on an unprogrammed unit. The standby screen is set up by the installer.
- Tools page that allows the user to change some features.

1 C-Bus Saturn Zen eDLT Wall Plate

Figure 1 Reference	Part Description	Quantity Used
1	R5045EDLW-ZW C-Bus-Saturn Zen, A-series five button eDLT unit, WHITE grid, Zen WHITE fascia colour R5045EDLB-ZB C-Bus Saturn Zen, A-series five button eDLT unit, BLACK grid, Zen BLACK fascia colour	1
2	5000CBF C-Bus wiring terminal (flylead) (sold in packs of 5)	1
3	5000MP Mounting plate (sold in boxes of 5)	1
3a	Mounting plate screws (supplied with the mounting plate)	2

- Do not attempt to remove the decorative front fascia or buttons from the switch grid. There are no user serviceable parts inside.
- When cleaning the unit, do not spray or wipe the switch with cleaners or solvents.
- Do not use abrasive cleaning products on the switch.
- Installers should use the latest version of C-Bus Toolkit configuration software to program the eDLT wall plate.

2 Installation

It is important to select the right location to install the C-Bus Saturn Zen eDLT.

Some considerations are listed below:

- For indoor use only.
- Provide easy access to the unit for switching lights and selecting scenes.
- Choose a location free of water, humidity, direct sunlight and heavy dust.
- Allow adequate ventilation.
- Do not cover the unit.
- Locate the eDLT as close as possible to C-Bus power supplies to minimise any voltage drop.
- The C-Bus wiring flylead can accommodate wires from two cables so that the eDLT can be located at any point on the C-Bus network.

Required Items

A small screwdriver is needed to connect the C-Bus network cables to the flylead.

C-Bus Toolkit configuration software. Download the latest version from www.se.com.

Recommendations

You can install the flylead and mounting plate in advance. Later, you can program the wall plate and bring it to the site.

A Step 1

Place the C-Bus Network Cables and the Mounting Plate.

Route the network cable into the wall box and attach the mounting plate with the two screws provided with the plate as shown in Figure 2A.

B Step 2

Connect the Network Cables to the C-Bus Wiring Terminal.

Twist or crimp the C-Bus positive pairs together and connect them to the positive screw terminal. Repeat the process for the C-Bus negative pairs. Refer to Figure 2B for wire colours and flylead terminal polarity.

C Step 3

Attach the flylead to the eDLT.

Insert the keyed connector in the socket on the back of the eDLT as shown in Figure 2C. **DO NOT** allow the eDLT to be suspended by the flylead. Go directly to step 4 for mounting instructions

D Step 4

Install the eDLT on the Plate.

Make certain that the network wires are secure in the flylead terminals and that the flylead's connector is firmly seated in the socket at the back of the eDLT wall plate.

Use the locators to place the eDLT in the correct location. The four magnets hold the wall plate firmly against the mounting plate.

Align the switch with the locator on the mounting plate, and then press the back of the wall plate against the mounting plate.

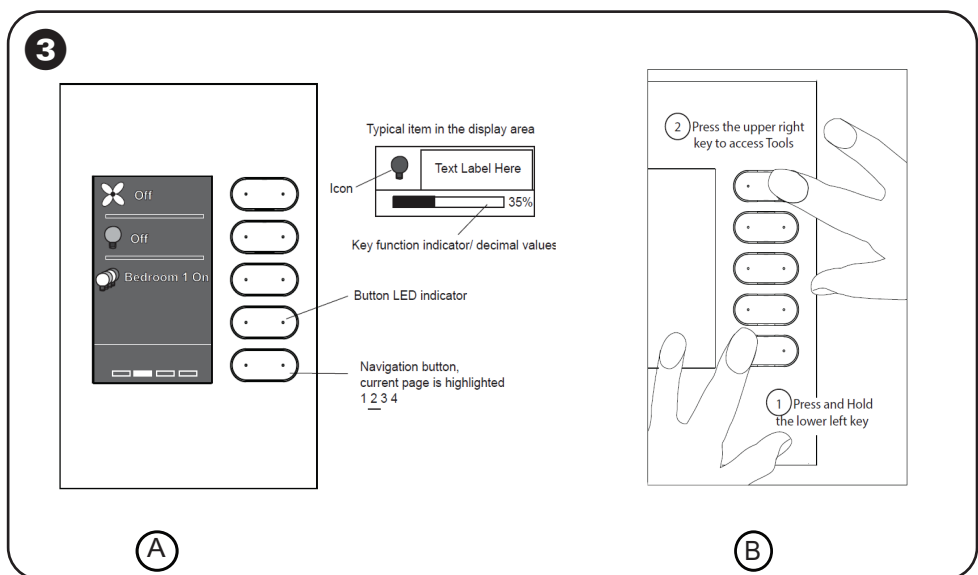
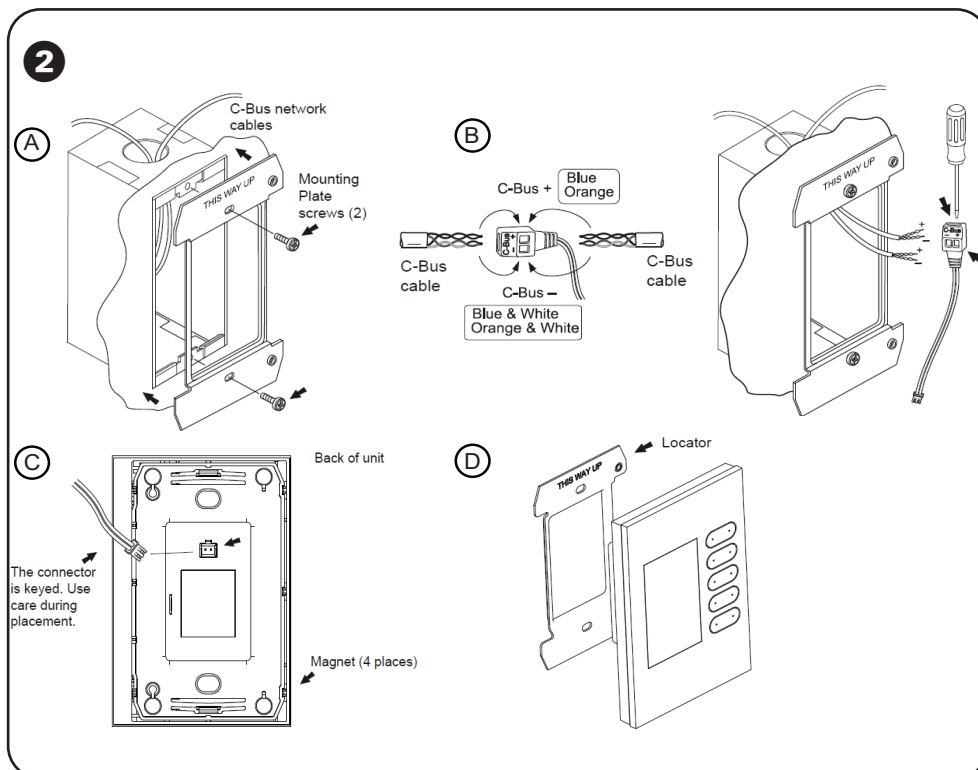
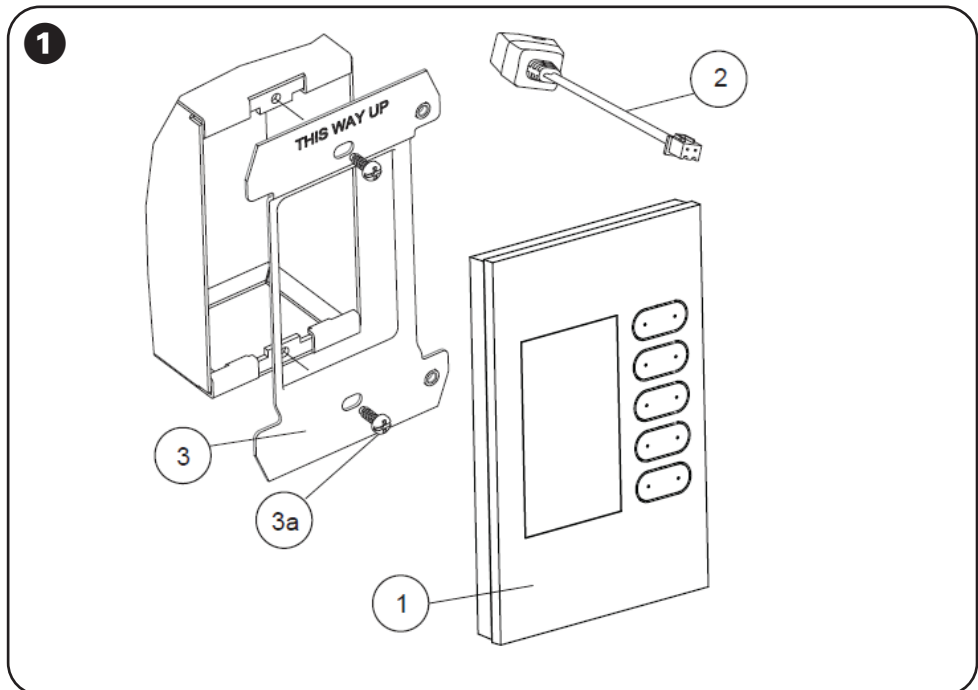
The four magnets hold the wall plate firmly in place.

DO NOT suspend the wall plate from the flylead connector. You could damage the wall plate and flylead.

Important notes for the Installer/Integrator

Please read the following notes before you install the eDLT wall switch.

Note	Details
Install the mounting hardware in advance	You can install the mounting plates and C-Bus wiring terminals (flyleads) for any number of eDLT units, and then install the eDLT units later for security reasons. C-Bus wiring terminals and eDLT mounting plates are sold separately and can be purchased in groups of 5 pieces.
Setup screen viewing requires power only	You can view the SETUP screen by connecting the eDLT (using the C-Bus wiring terminal) to any working C-Bus power source. You do not need to connect to a functioning network to view the Setup screen. The Setup screen is displayed indefinitely on an 'unprogrammed' unit. The STANDBY screen is set up by the installer.
eDLT switches can be programmed before installation	The eDLT units for an installation can be pre-programmed at any convenient location and made ready for placement later on. This makes installation of the wall switches at the site very quick.
Set User Access	The installer sets the level of user access during programming, including access to the TOOLS page. The Tools page allows the user to change some features. C-Bus Toolkit software provides several options. Refer to the Help provided with the software.
Extra Low Voltage equipment	The installer does not need to have an electrician's license. DO NOT connect mains wires to the C-Bus wall switch. The C-Bus network uses Cat5e, unshielded twisted pair cables.



Safety and Product Handling

To ensure your safety and maximise product life, follow these instructions:

⚠ DANGER

HAZARD OF ELECTRIC SHOCK, EXPLOSION, OR ARC FLASH

- It is illegal for persons other than an appropriately licensed electrical contractors or other persons authorised by legislation to work on the fixed wiring of any electrical installation.
- To comply with all safety standards, the product must be used only for the purpose described in this instruction and must be installed in accordance with the wiring rules and regulation in the location where it is installed.
- There are no user serviceable parts inside the product.

Failure to follow these instructions will result in death or serious injury.

⚠ CAUTION

EQUIPMENT DAMAGE HAZARD

Install the device according to instructions in this document:

- Pay attention to the specifications and wiring diagrams related to the installation.
- Do not use this product for any other purpose than specified in this instruction.

Failure to follow these instructions can result in injury or equipment damage.

⚠ CAUTION

The eDLT wall plate is for C-Bus use only

Failure to follow these instructions will cause damage to the plate.

⚠ WARNING

DONOT CONNECT TO MAINS VOLTAGE

- The eDLT Wall Plate is to be connected to the C-Bus network only.

Failure to follow these instructions will cause an electric shock hazard that could lead to death or serious personal injury and this will destroy the eDLT wall plate.

⚠ WARNING

AUTOMATIC CONTROL EQUIPMENT

Message:

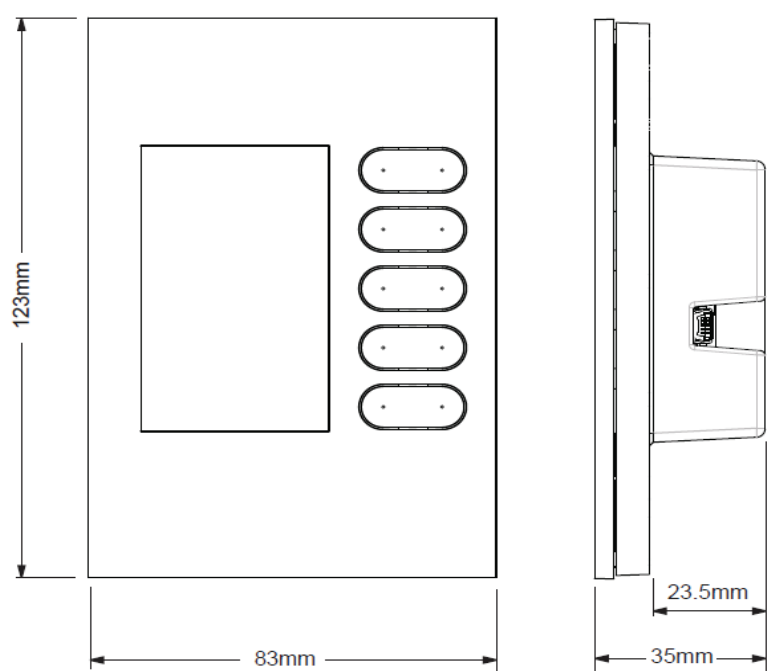
- The devices controlled by the C-Bus eDLT wall plate can switch on or off at any time.
- Disconnect controlled devices such as fan motors from the active line before servicing.

Failure to follow these instructions will cause damage to the connected controlled devices.

Please follow these important guidelines when installing and using the eDLT wall plate:

- Do not install the eDLT wall plate where the LCD display is in direct sunlight.

4



C-Bus connections are polarised	Connection to the C-Bus network is easy. The installer connects the C-Bus plus (+) and C-Bus minus (-) to the C-Bus wiring terminal. Refer to wiring diagrams.
---------------------------------	--

Installers/ Integrators are advised to use the latest version of C-Bus Toolkit configuration software to program the eDLT wall plates. The software can be freely downloaded from the web site: <http://www.se.com>.

C-Bus Toolkit software contains extensive Help and a WYSIWYG interface for programming the eDLT. Connect the C-Bus Saturn Zen eDLT to the C-Bus network using an unshielded twisted pair C-Bus cable. Twist or crimp the wire pairs together. Do not use soldered connections; they are not reliable. Use Category 5 (Cat 5) data cable (C-Bus catalogue number 5005C305B solid, or 5005C305BST stranded). Do not Megger test the C-Bus network cables.

Programming Requirements

The following items are required for programming the eDLT wall plate.

C-Bus Toolkit Software

The Saturn Zen eDLT wall plate cannot be used until it is programmed by the installer or integrator using C-Bus Toolkit software. C-Bus Toolkit can be downloaded free from the Internet at the following URL:

<http://www.se.com>

Be sure to download the latest version of Toolkit. Refer to Toolkit Help for details and examples

PC with access to an Active C-Bus Network

The eDLT does not contain a PC interface. Connect a PC with the latest version of Toolkit and the Project (.cbz file) to the network interface unit. You can create a special Project for programming eDLT units, if desired.

You need to connect the switch to a working C-Bus network in order to set up the following:

- Load the unit ID and unit name.
- Load parameters for groups and scenes.
- Assign properties for switches for each control page.
- Set up the end user's access level for making changes.
- Set up the colour of the indicator buttons.

An active C-Bus network must have the proper operating voltage, clock and burden. If the bus voltage approaches the minimum value, the added eDLT might not operate properly; use Toolkit or the eDLT's Tools page to check the voltage of the network.

C-Bus Flylead for Remote Programming

During installation, the C-Bus flylead is installed inside the wall box. If you wish to program the eDLT switch at another location, you should use a flylead from another unit, or you can purchase the flyleads in packages of 5 from your Schneider Electric products supplier.

Mini USB Cable (not supplied) for Firmware Downloading

The firmware files and hardware device drivers are part of the latest Toolkit software release. Therefore, it is recommended to have the latest Toolkit release installed on the PC and a USB cable with a Mini USB connector plug on one end.

The USB cable is not supplied, but is available from many stores. For the firmware upgrade, the eDLT needs to be plugged into C-Bus network for power.

The network does not have to be running. Use the Mini USB socket located on the side of the switch grid. The USB port is used instead of the C-Bus network cable because of the large amount of data transferred.

The currently loaded firmware release level can be found on the Unit Information screen that is accessible from the Tools page.

3 Operation

The table below describes some of the features of the eDLT that you should know about. Many of the options are set during programming with C-Bus Toolkit software. Be sure to use the Help files when choosing configuration options.

Feature	Description
SETUP screen	When an unprogrammed unit is powered on, the screen displays information that is useful for the installer or integrator. The resident firmware level is displayed. The Setup screen remains on indefinitely as long as power is applied. After programming the unit. Information about the unit is available in the Tools page. Refer to Programming Requirements for configuration information and to Accessing the Tools Page for adjusting settings
STANDBY screen	The STANDBY screen is set up by the person who programs the eDLT. From the Standby screen, Pressing any key (switch button) activates the default control page of the eDLT (as designated during programming).
Proximity Sensor	The eDLT has a proximity sensor that activates the display backlight and the button LEDs. This function can be disabled during programming
Colour Scheme	The colour of the LED indicators can be white, blue, red, green, cyan, magenta, orange or yellow
TOOLS page	When the eDLT is programmed to allow user access to the Tools page, you can view information about your eDLT and to do the following: <ul style="list-style-type: none"> • Set the time and date. • Select key and screen colours • Modify text fields, i.e., name of controlled devices and scenes.

A Basic features of the LCD Display and the Buttons

You can press the left side or the right side of a button, but you cannot press both at the same time. The installer sets up the action of the left and right press for each button on each active control page. The display has five programmable areas called widgets. Each widget corresponds to a dual-action button that is directly to its right

The bottom key is normally reserved for page navigation to the accessible pages.

The left side of the key shifts the display to a lower numbered page and the right side of the key shifts the display to a higher numbered page.

Typical Functions for the Dual-Action Buttons		
	Left Side	Right Side
Short Press	Function On or Off / activate unit on first button press / go to preset location	Function On or Off / activate unit on first button press / go to preset location
Multiple Short Presses	Decrease level in increments / nudge the value or select	Increase level in increments / nudge the value or selection
Press and Hold (long press)	Adjust control level continuously / sequence through a list	Adjust control value continuously / sequence through a list

If the end user has access to the Tools page, the buttons are used to make selections of features and labels. Refer to the next subsection.

B Access to the Tools Page

During the programming of the eDLT, the end user, homeowner or hotel guest, can be allowed access to certain features of the Tools page and the ability to change certain settings. The installer should tell the user how to use the Tools features that are available.

4 Specifications

Parameter	Value
Catalogue Number	R5045EDLW-ZW C-Bus Saturn Zen eDLT, white grid, Zen white fascia colour R5045EDLB-ZB C-Bus Saturn Zen eDLT, black grid, Zen black fascia colour
Operating voltage	15 -36Vd.c
Operating Current	32mA, powered by the C-Bus network. Does not supply power to the network
Electrical and signal connection	C-Bus positive and negative. 2 screw terminals on the supplied quick-connect C-Bus flylead.
Firmware upgrade port	Mini-USB. The cable is not included with product.
Display	2.8 inch, TFT LCD, monochrome with backlight
Proximity detection	Software selectable
Backlighting	Brightness is software selectable
Operating temperature range	5° to 45°C, not in direct sunlight.
Operating humidity range	10 to 90% RH, non-condensing.
Mounting orientation	Vertical (portrait) only, with switches on the right.
Application	Indoor use only.
Mounting centres	Mounting plate, 84mm on centres
Required clearance	35mm depth behind the mounting plate.
Terminals capacity	2 x 1.5mm ² stranded or solid Cat 5e UTP network cable.
Product Compliance	
No user serviceable parts inside	

Schneider Electric Industries SAS

If you have technical questions, please contact the Customer Care Centre in your country. se.com/contact

Warranty

For Warranty information and service, visit se.com/contact.

Disclaimer

Hereby, Schneider Electric Industries, declares that this product is in compliance with the essential requirements and other relevant provisions of RADIO EQUIPMENT DIRECTIVE 2014/53/EU. Declaration of conformity can be downloaded on:

se.com/docs.