



DUS360CR

Multifunction Sensor

Low profile recessed 360° ceiling sensor

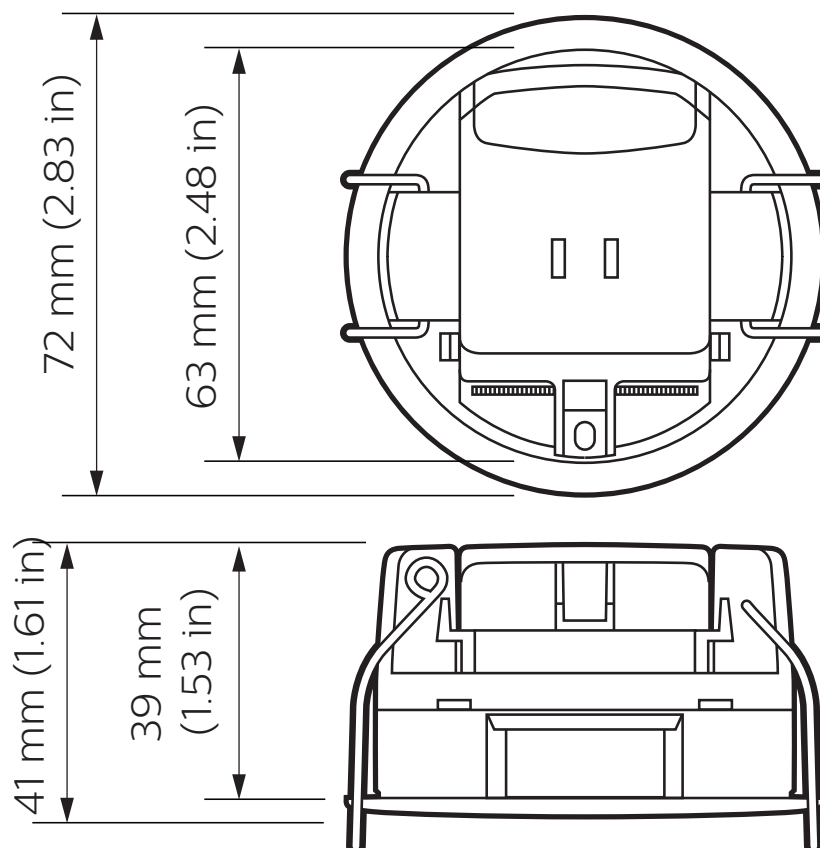
The Philips Dynalite DUS360CR is a recess mountable 360 degree multifunction sensor that combines motion detection (PIR), infrared remote control reception (IR) and ambient light level detection (PE) into one device in applications such as offices, lecture theaters and homes.

DUS360CR

Low profile recessed 360° ceiling sensor

- **Motion detection feature** – Detects the presence or absence of motion and adjusts lights accordingly.
- **Segmented click-up bezel** – Surrounds the motion sensor element and enables a portion of the sensing field to be masked. This prevents nuisance detection from adjacent doorways or corridors.
- **Ambient light level regulation** – In applications where it is critical to maintain precise light levels, the PE function reads ambient levels and adjusts artificial light accordingly.
- **Infrared receive capability** – Manually adjust light levels using a hand-held remote control, via the inbuilt IR receive sensor of the DUS360CR.
- **Daylight harvesting mode** – Delivers automatic energy savings.
- **Corridor hold** – Links corridor areas with adjacent rooms so corridor remains lit while occupancy is detected in adjacent rooms.
- **Anti-stumble sensing option** – Helps users move about safely at night without having to find a light switch. (see page 4 for details)
- **Suitable for plenum use** – UL2043 certified for installation in air-handling plenum spaces.

Dimensions



Specifications

Due to continuous improvements and innovations, specifications may change without notice.



DUS360CR
Multifunction Sensor

Electrical

Supply Type	DyNet
Supply Voltage	12/24 VDC
Supply Current	10 mA (max)
IEC Overvoltage Category	III

Motion Detection (PIR)

Sensor	Quad element pyroelectric
Maximum Detection Range	5 m (16.4 ft)*
Detection Area	See next page

Light Detection (PE)

Lux Range	5-5000 lux
-----------	------------

Control

Serial Ports	1 x RS-485
Supported Protocols	DyNet
User Input	Infrared (RC5 IR remote control) 1 x service switch
Indicators	1 x red motion LED

* Typical detection range at $\leq 25^{\circ}\text{C}$ (77°F). Range is reduced at higher temperatures.

Physical

Dimensions (H x W)	41 x 72 mm (1.61 x 2.83 in)
Packed Weight	0.105 kg (0.23 lb)
Construction	Polycarbonate plastic enclosure
Color	RAL9010 (White) RAL9005 (Black)
Serial Ports	1 x 5-way screw terminal +V, D-, D+, GND, SHLD
Screw Terminal Conductor Size	2.5 mm ² (#12 AWG) (max)
Mounting Substrate Thickness	3-25 mm (0.12-0.98 in)

Environment**

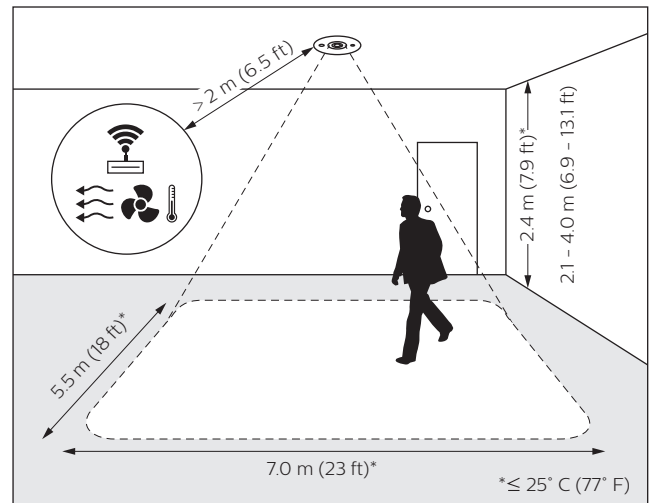
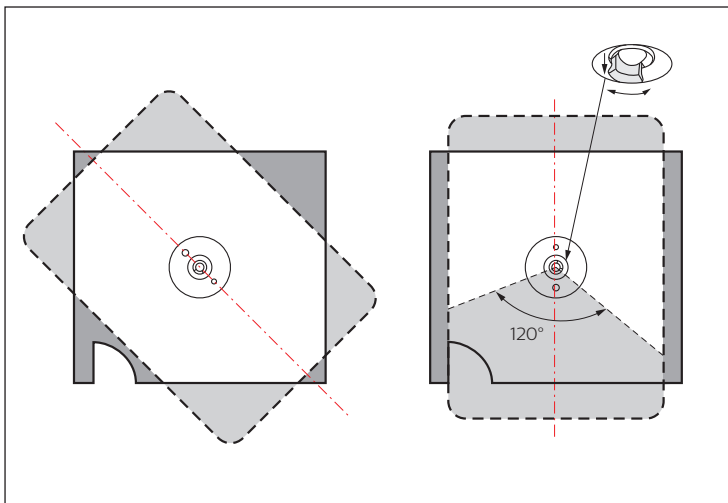
Operating Temperature	0° to 45°C ambient (32° to 113°F)
Storage/Transport Temperature	-25° to 70°C ambient (-13° to 158°F)
Humidity	0 to 90% non-condensing
IEC Pollution Degree	II

Compliance

Certification	CE, RCM, UL/cUL, FCC, ICES, UKCA, RoHS
IP Rating	IP20

** For Indoor Installation Only

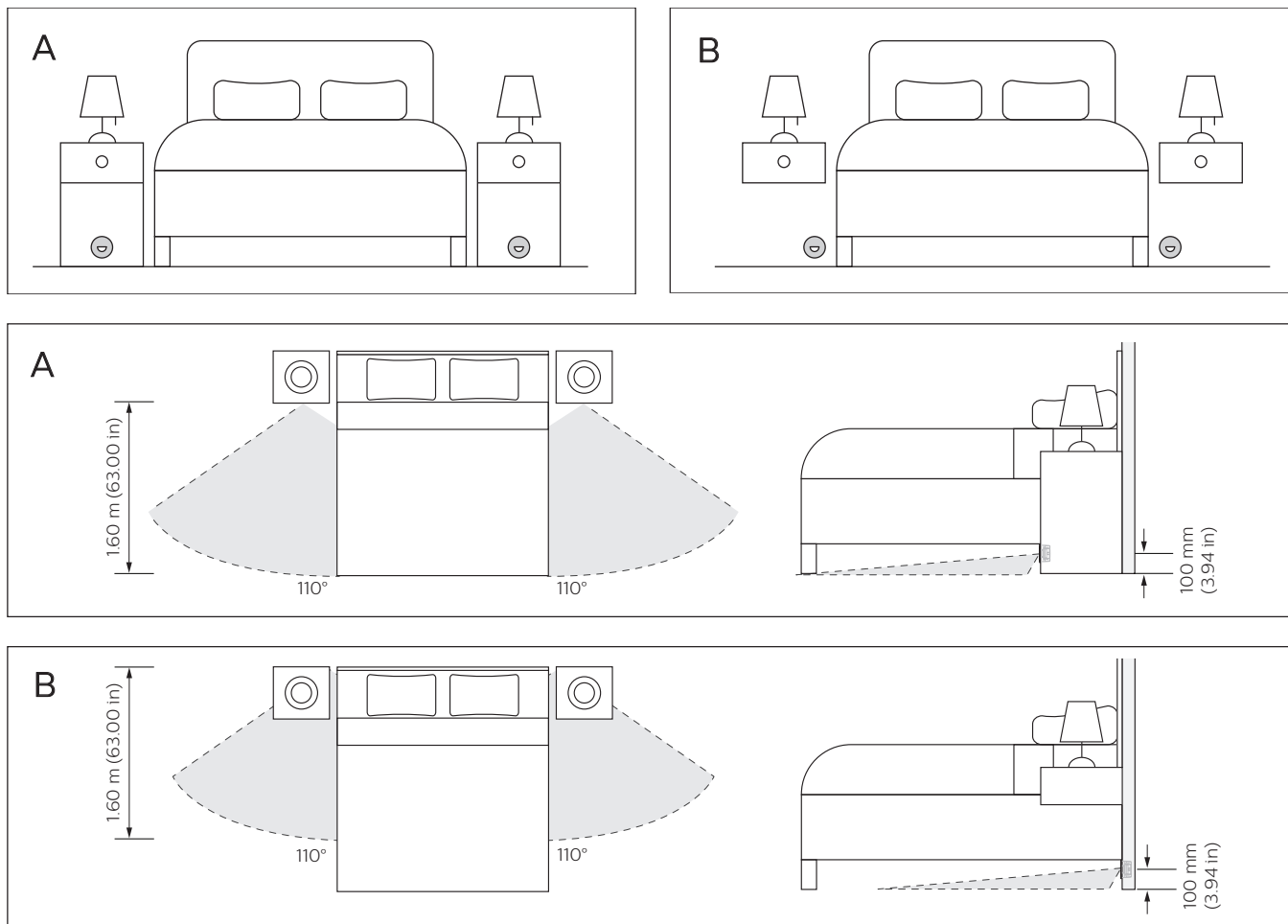
Detection Area



Detection Area with DUS180WR Anti-Stumble Faceplate

Mounted as shown below with the optional DUS180WR faceplate, the DUS360CR provides ground-level bedside motion detection after dark.

When a guest leaves the bed at night, selected lighting channels come on at minimum brightness so that they can move about safely without waking other sleepers.



Ordering Code

Product	12NC
DUS360CR	913703689609
DUS360CR-RAL9005 (Black)	913703241009
Accessories	12NC
DINGUS-DUS-RJ12-DUAL (dual RJ12 connector - pack of 10)	913703064309
DINGUS-DUS-RJ45-DUAL (dual RJ45 connector - pack of 10)	913703064409
IRT9090/01 (commissioning & testing RC5 IR remote control)	913700359103
DUS180WR (Anti-stumble faceplate - pack of 40)	913703338209

© 2024 Signify Holding.

All rights reserved. Specifications are subject to change without notice. No representation or warranty as to the accuracy or completeness of the information included herein is given and any liability for any action in reliance thereon is disclaimed. Philips and the Philips Shield Emblem are registered trademarks of Koninklijke Philips N.V. All other trademarks are owned by Signify Holding or their respective owners.

