



DMRC210

Relay Controller

Luminaire-mounted control of switched loads

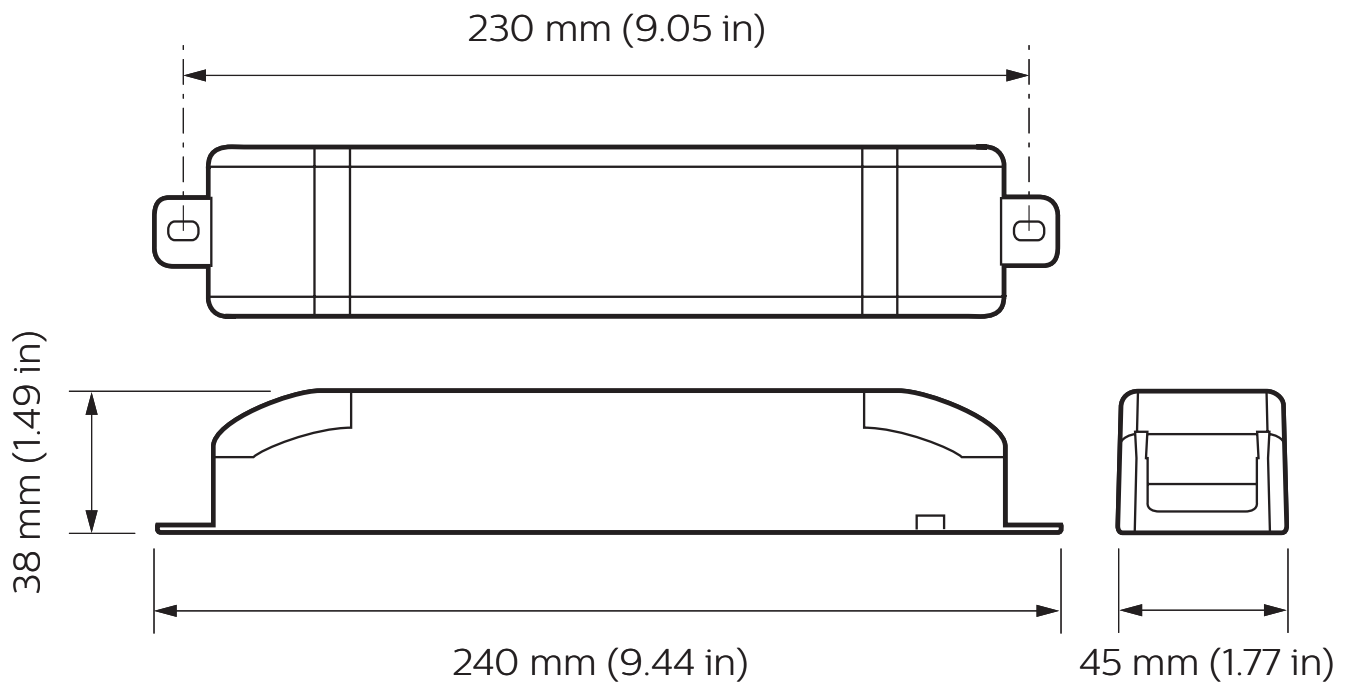
The Philips Dynalite DMRC210 is a two-channel device that provides intelligent networked control of individual luminaires. The compact design enables mounting directly within the gear enclosure of many lighting fixtures.

DMRC210

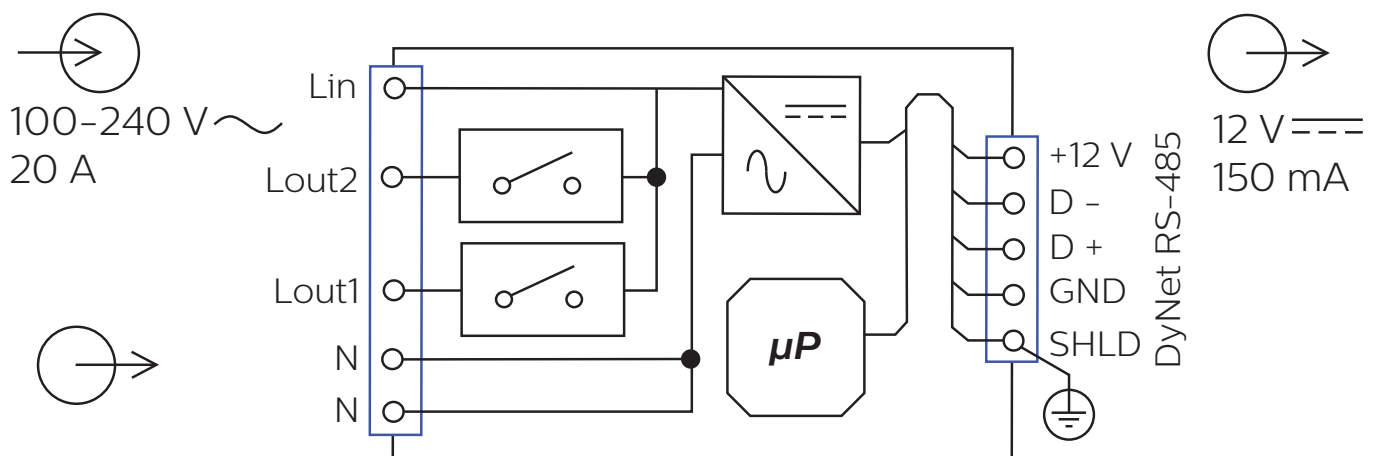
Luminaire-mounted control of switched loads

- **Incorporates two relay outputs** – Used to control mains supply to the fixture.
- **Gear enclosure mounting** – Compact design allows the device to be mounted directly within the gear enclosure of many light fittings.
- **Fully rated device** – Robust relays provide reliable control of difficult lighting loads.
- **Inbuilt diagnostic functionality** – Features Device Online/Offline status indication.

Dimensions

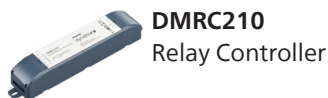


Electrical



Specifications

Due to continuous improvements and innovations, specifications may change without notice.



Electrical

Supply Type	Single-phase
Supply Voltage	100-240 VAC
Supply Current	20 A
Outputs	2 x switched relay
Output Channel Current	10 A inductive (max)
Output Channel Ratings	(See Page 4)
DyNet DC Output Voltage	12 VDC
DyNet DC Output Current	150 mA (supply for approximately 7 user interfaces)

Control

Serial Ports	1 x RS485
Supported Protocols	DyNet DMX Rx
DMX Rx Channels	2
Diagnostic Functions	Device online/offline status

Physical

Dimensions (H x W x D)	38 x 240 x 45 mm (1.49 x 9.05 x 1.77 in)
Packed Weight	0.19 kg (0.42 lb)
Construction	Double-insulated ABS plastic
Serial Port Terminals	5 x screw terminal
Serial Port Conductor Size	2.5 mm ² (#12 AWG) (max)
Supply Terminals	2 x screw terminal Line In, Neutral
Supply Terminal Conductor Size	5 mm ² (#10 AWG) (max)
Load Terminals	3 x screw terminal Line Out 1, Line Out 2, Neutral
Load Terminal Conductor Size	5 mm ² (#10 AWG) (max)

Environment*

Operating Temperature	0° to 50°C ambient (32° to 122°F)
Storage/Transport Temperature	-25° to 70°C ambient (-13° to 158°F)
Relative Humidity	0 to 90% non-condensing
IEC Pollution Degree	II

Compliance

Certification	CE, RCM, UKCA, RoHS
---------------	---------------------

* For indoor installation only



Output Channel Ratings

Load Type	Maximum Rating per Output
	CH1, CH2
General Use	10 A, 240 VAC
Incandescent	5 A, 240 VAC
Electronic Ballast	3 A, 240 VAC
Inrush Current	165 A

Total Device Load: ≤ 20 A

Ordering Code

Product

DMRC210

Philips 12NC

913703050009

© 2024 Signify Holding.

All rights reserved. Specifications are subject to change without notice. No representation or warranty as to the accuracy or completeness of the information included herein is given and any liability for any action in reliance thereon is disclaimed. Philips and the Philips Shield Emblem are registered trademarks of Koninklijke Philips N.V. All other trademarks are owned by Signify Holding or their respective owners.



www.dynalite.com

Revision 06– 2024-01-17