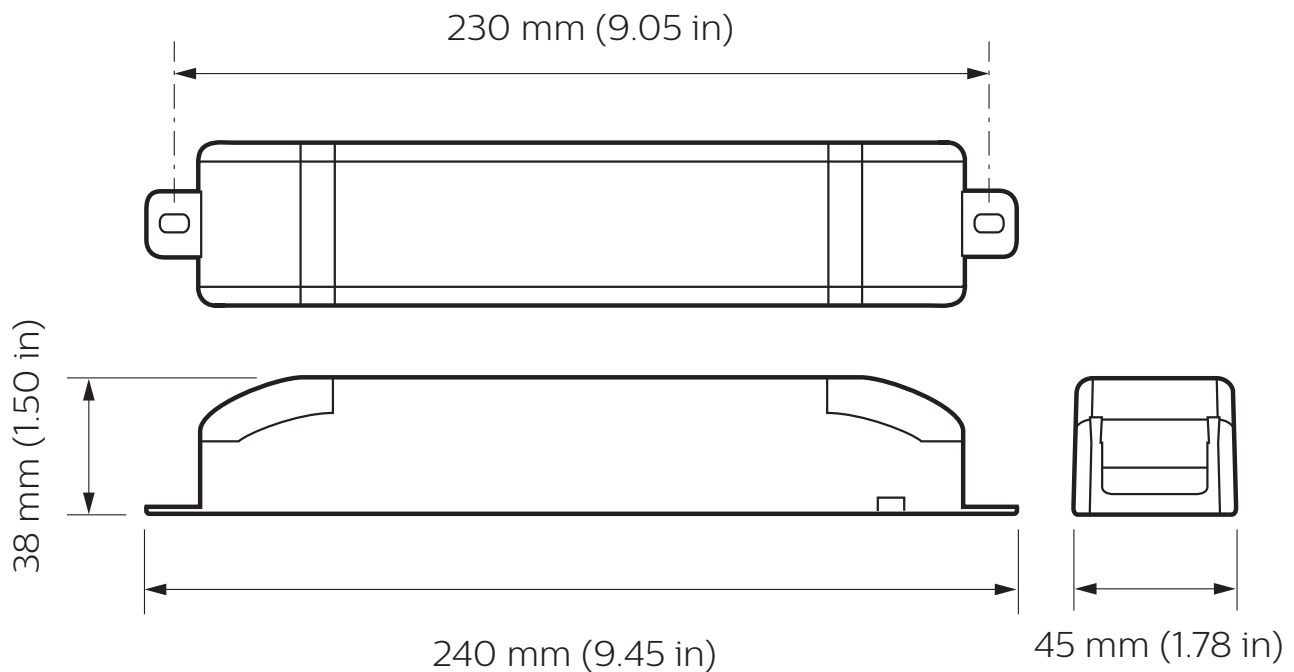


DMBC110

Luminaire mount multi-protocol control solution

- **Incorporates one relay output and one signal dimmer output** – Provides dimming control of DALI, 1-10 V and DSI compatible drivers and transformers.
- **Gear enclosure mounting** – Compact design allows the device to be mounted directly within the gear enclosure of many light fittings.
- **Fully rated device** – Robust relay provides reliable control of difficult lighting loads.
- **Inbuilt diagnostic functionality** – Features Device Online/Offline status indication.

Dimensions



Specifications

Due to continuous improvements and innovations, specifications may change without notice.



DMBC110
Signal Dimmer Controller

Electrical

Supply Type	Single-Phase
Supply Voltage	230 VAC ± 14%
Supply Current	10 A
DyNet DC Output Voltage	12 VDC
DyNet DC Output Current	120 mA
Switched Output	1 x 10 A inductive
Output Channel Ratings	(See Page 4)
IEC Overvoltage Category	III

Control

Serial Ports	1 x RS-485
Supported Protocols	DyNet DMX Rx
DMX Rx Channels	1
Control Channel Outputs	1 (DALI Broadcast, DSI or 1-10 V)
Diagnostic Functions*	Device online/offline status

* Philips Dynalite System Manager required for analyzing diagnostic data. The availability of some diagnostics is dependent on driver type.

Physical

Dimensions (H x W x D)	38 x 240 x 45 mm (1.50 x 9.45 x 1.78 in)
Packed Weight	0.19 kg (0.42 lb)
Construction	Polycarbonate
Serial Ports	1 x 5-way pluggable screw terminal
Serial Port Conductor Size	1.5 mm ² (#16 AWG) (max)
Supply Terminals	2 x screw terminal Line IN, Neutral
Supply Terminal Conductor Size	5 mm ² (#10 AWG) (max)
DALI Terminals	2 x screw terminal DA-, DA+
DALI Terminal Conductor Size	1.5 mm ² (#16 AWG) (max)
Output Terminals	2 x screw terminal Line OUT, Neutral
Output Terminal Conductor Size	5 mm ² (#10 AWG) (max)

Environment**

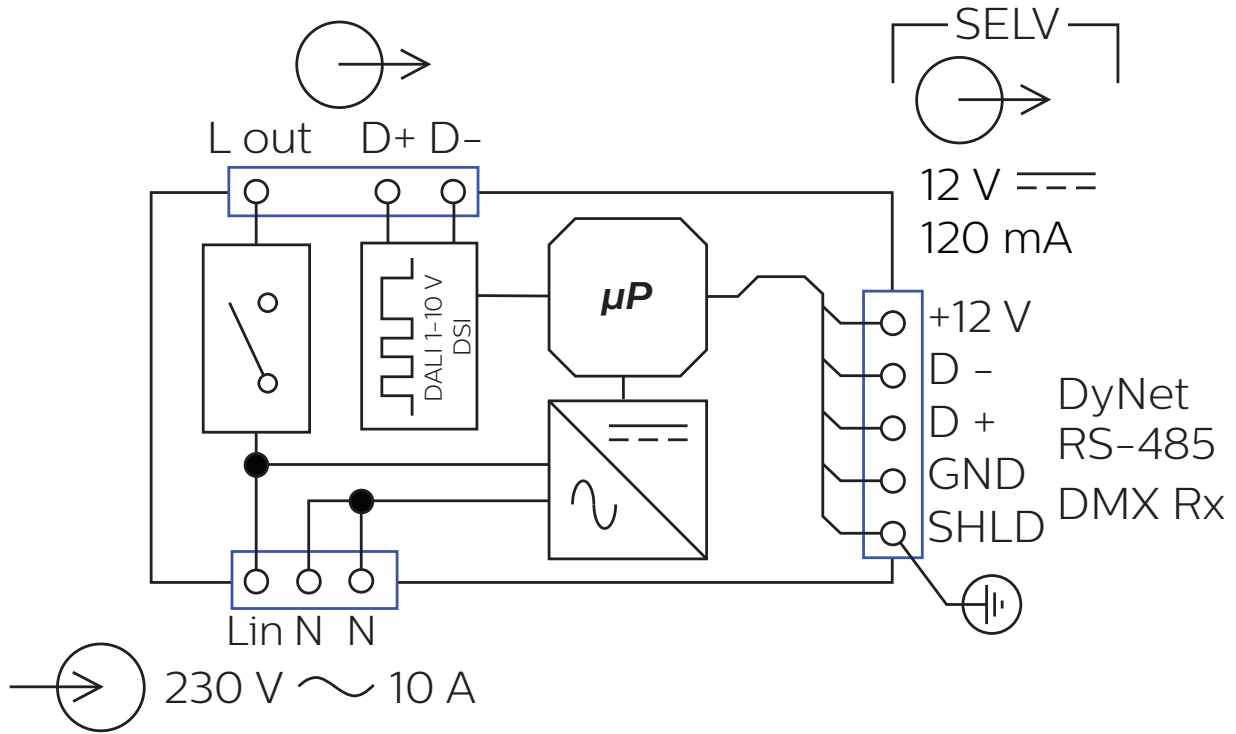
Operating Temperature	0° to 50°C ambient (32° to 122°F)
Storage/Transport Temperature	-25° to 70°C ambient (-13° to 158°F)
Relative Humidity	0 to 90% non-condensing
IEC Pollution Degree	II

Compliance

Certification	CE, RCM, UKCA, RoHS
---------------	---------------------

** For indoor installation only

Electrical



Control Channel Ratings

DALI/DSI	Channel
Output Voltage	12 VDC
Guaranteed Current	10 mA
Maximum Current	250 mA
Maximum Drivers	5
Insulation	Basic

1-10 V	Channel
Current	sink 20 mA source 10 mA

Output Channel Ratings

Load Type	Maximum Rating per Output CH1
General Use	10 A, 240 VAC
Electronic Driver	3 A, 240 VAC
Inrush Current	165 A

Ordering Code

Product
DMBC110

Philips 12NC
913703030009

© 2024 Signify Holding.

All rights reserved. Specifications are subject to change without notice. No representation or warranty as to the accuracy or completeness of the information included herein is given and any liability for any action in reliance thereon is disclaimed. Philips and the Philips Shield Emblem are registered trademarks of Koninklijke Philips N.V. All other trademarks are owned by Signify Holding or their respective owners.



www.dynalite.com

Revision 07 – 2024-01-10