



DDNG485

RS-485/DMX512 Gateway

Flexible network communications gateway

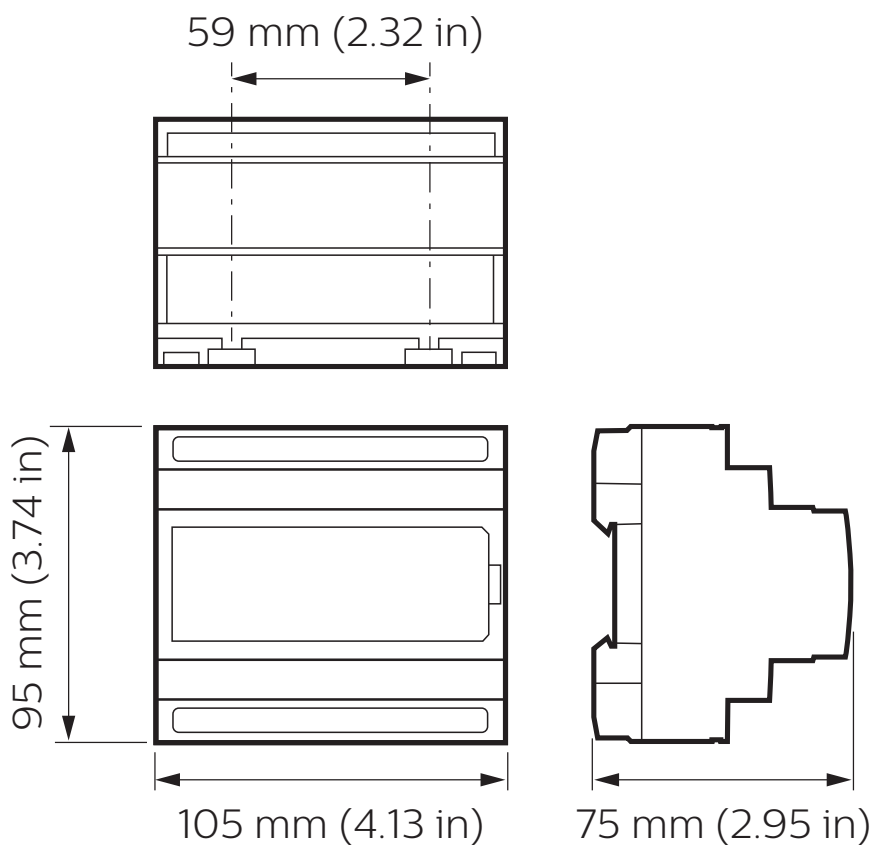
The Philips Dynalite DDNG485 is a flexible network communications bridge designed for RS-485 networks. The two opto-isolated RS-485 ports enable the DDNG485 to implement a trunk and spur topology on large project sites, with the bridge providing a high-speed backbone opto-coupled to many lower speed spurs.

DDNG485

Flexible network communications gateway

- **Route DyNet to third-party systems** – Such as audio-visual, Somfy blind controllers, Modbus meters and building automation systems, providing an integrated approach to total building control and energy management.
- **DMX512 mode** – Transmit or receive up to 64 channels of DMX512, with automatic DyNet conversion and task triggering. Provides temporary control of house lights from the DMX512 console in an auditorium scenario.
- **Electrical fault isolation** – Faults can be isolated to individual network spurs.
- **Internal controls** – Programmable logic controller capable of comprehensive conditional and sequential logic and arithmetic function processing, packet filtering and DyNet to DyNet 2 translation.
- **Flexible mounting solution** – DIN-rail mountable, designed to be installed into a distribution board or other electrical enclosure.

Dimensions



Specifications

Due to continuous improvements and innovations, specifications may change without notice.



DDNG485
RS-485/DMX512 Gateway

Electrical

Supply Type	DyNet (Port 1)
Supply Voltage	12 VDC
Supply Current	375 mA
Serial Port Isolation	Optical (3.75 kV RMS)
DyNet DC Output Voltage	Port 2: 12 VDC
DyNet DC Output Current	180 mA
IEC Overvoltage Category	III

Control

Communication Ports	2 x RS-485
Supported Protocols	DyNet DyNet2 DMX
DMX Tx Channels	64
DMX Rx Channels	64
Dry Contact Inputs	1 (AUX)
User Controls	1 x service switch
Indicators	1 x service LED
Diagnostic Functions	Device online/offline status

Physical

Dimensions (H x W x D)	95 x 105 x 75 mm (3.74 x 4.34 x 2.95 in)
Packed Weight	0.25 kg (0.55 lb)
Construction	Polycarbonate DIN-rail enclosure (6 unit)
Communication Ports	1 x RJ12 11 x screw terminal
Communication Terminal Conductor Size	2.5 mm ² (#12 AWG) (max)

Environment*

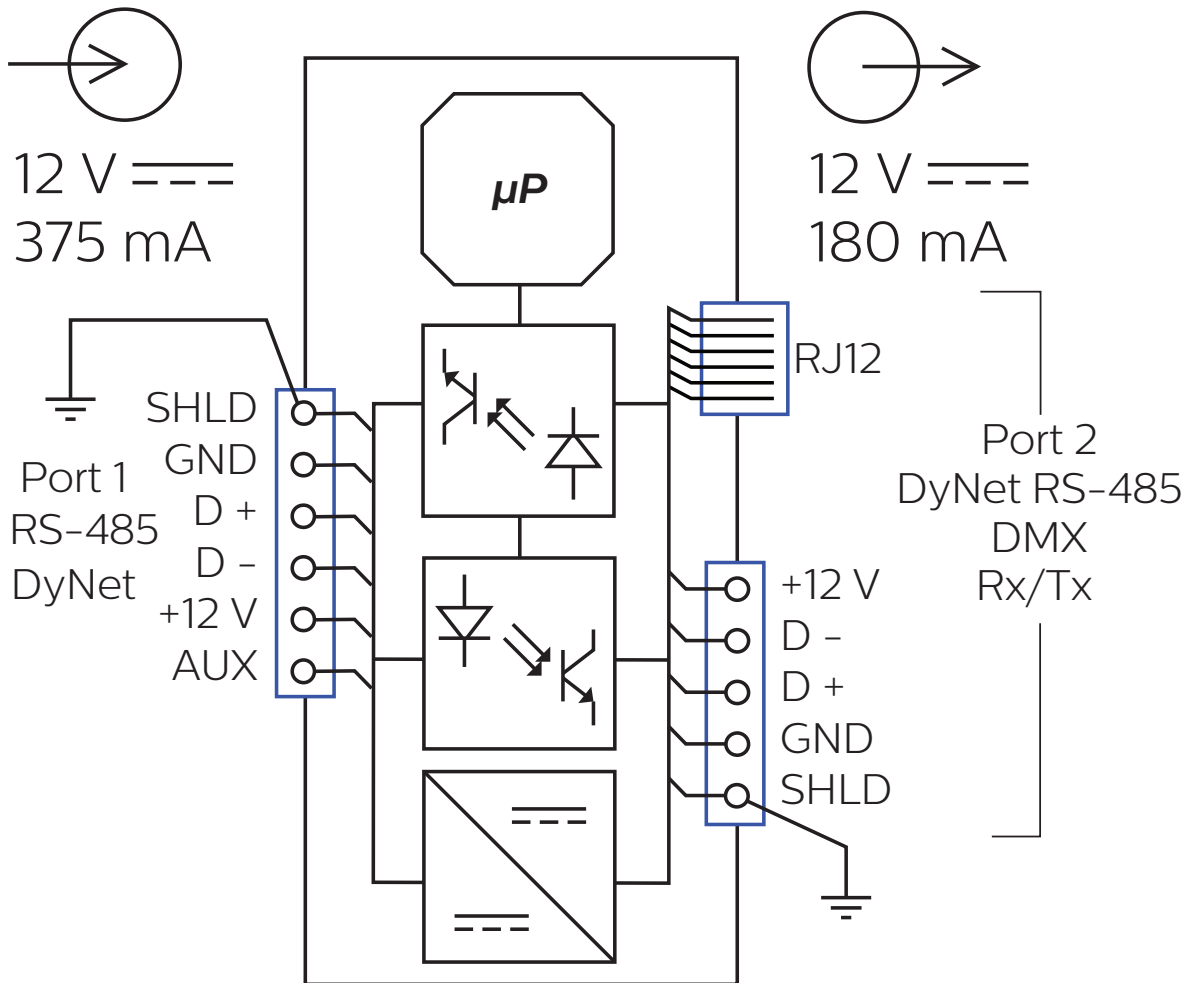
Operating Temperature	-0° to 50°C ambient (32° to 122°F)
Storage/Transport Temperature	-25° to 70°C ambient (-13° to 158°F)
Humidity	0 to 90% non-condensing
IEC Pollution Degree	III

Compliance

Certification	CE, RCM, UKCA, RoHS
---------------	---------------------

* For indoor installation only

Electrical



Ordering Code

Product

DDNG485

Philips 12NC

913703081209



© 2021 Signify Holding. All rights reserved. Specifications are subject to change without notice. No representation or warranty as to the accuracy or completeness of the information included herein is given and any liability for any action in reliance thereon is disclaimed. Philips and the Philips Shield Emblem are registered trademarks of Koninklijke Philips N.V. All other trademarks are owned by Signify Holding or their respective owners.