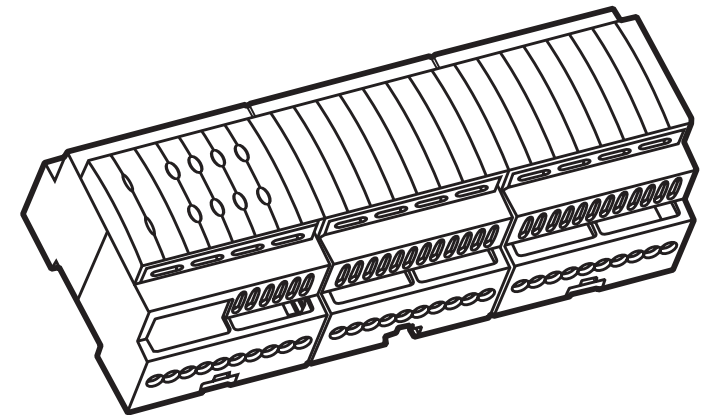


C-Bus™

C-Bus Eight Channel Dimmer

Installation Instructions

5508D1A Series



Clipsal Integrated Systems Pty Ltd

ACN 089 444 931

Head Office

12 Park Terrace, Bowden
South Australia 5007

PO Box 103, Hindmarsh
South Australia 5007
Telephone (08) 8269 0560
International + 61 8 8269 0560
Facsimile (08) 8346 0845
International +61 8 8346 0845
E-Mail cis@clipsal.com.au
Internet: www.clipsal.com

© Copyright 2000

Clipsal Integrated Systems reserves
the right to change specifications or
designs described in this manual
without notice and without obligation.

Table of Contents

1.0	Product Range	Page 4
2.0	Description	Page 4
3.0	Capabilities	Page 4
4.0	Compatible Loads	Page 4
5.0	Wiring Instructions	Page 5
6.0	C-Bus DIN Rail Series Dimmer Features	Page 5
6.1	Local Override Buttons	Page 5
6.2	Remote Override Facility	Page 5
6.3	Network Burden	Page 6
6.4	Zero Crossing Filter	Page 6
6.5	Thermal Shutdown	Page 6
6.6	Linearised Brightness Control	Page 6
6.7	Soft Turn On	Page 6
7.0	Priority of Operating Modes	Page 6
8.0	Indicators	Page 7
8.1	C-Bus Indicator	Page 7
8.2	Unit Indicator	Page 7
9.0	Power-Up Load Status	Page 7
10.0	C-Bus Power Requirements	Page 7
11.0	Stand-Alone Programming	Page 7
12.0	Connection to the C-Bus Network	Page 8
13.0	Programming Requirements	Page 8
14.0	Power Surges and Short Circuit Conditions	Page 8
15.0	Megger Testing	Page 8
16.0	Important Warning	Page 8
17.0	Standards Complied	Page 8
18.0	Product Specifications	Page 10
19.0	Mechanical Specifications	Page 11

1.0 Product Range

5508D1A	C-Bus Eight Channel Dimmer, with C-Bus Power Supply (220-240V, 50-60Hz,1A)
E5508TDIA	C-Bus Eight Channel Dimmer, with C-Bus Power Supply (110-120V, 50-60Hz,1A)
5508D1AP	C-Bus Eight Channel Dimmer (220-240V, 50-60Hz,1A)
E5508TD1AP	C-Bus Eight Channel Dimmer (110-120V, 50-60Hz,1A)

2.0 Description

The 5508D1A Series products are C-Bus output devices designed to be used in a switchboard application. For ease of installation they are DIN rail mounted, measuring 12M wide.

Eight leading edge phase controlled dimming channels are provided for general load control applications.

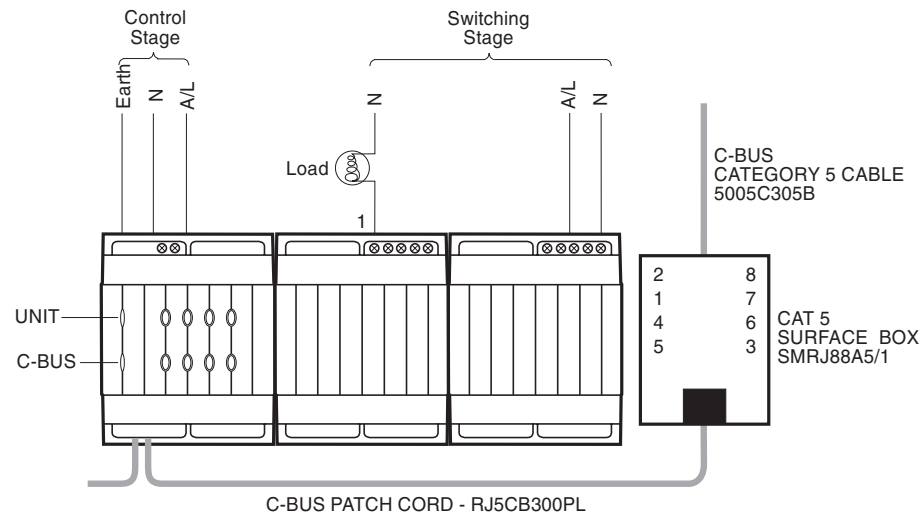
3.0 Capabilities

This C-Bus unit can form the heart of a simple C-Bus network. C-Bus connection is conveniently achieved through the use of RJ45 connectors, allowing similar units to be quickly looped together. 5508D1A products have an internal C-Bus power supply capable of supporting a number of other C-Bus units (200mA capacity). All units with a "P" Suffix have no C-Bus power supply, and consume no current from the C-Bus network during normal operation. A C-Bus clock signal is also generated by these products, thus providing all the support that is necessary for a simple C-Bus network. Local toggle buttons have been included to allow individual channels to be toggled at each unit as well as via C-Bus commands. Remote ON and OFF facilities are available, permitting all channels to be turned ON or OFF without C-Bus network communication. These units isolate the mains power from the safe extra low voltage C-Bus network.

4.0 Compatible Loads

Suitable loads for these products include incandescent and inductive varieties. Low voltage lighting can be used provided iron core transformers or electronic transformers specifically suited to leading edge phase control are used. Non power factor corrected compact fluorescent loads can be switched but not dimmed with these products. Small motors can be controlled, such as those used in ceiling and exhaust fans, however minimal electrical noise may be audible in some instances.

5.0 Wiring Instructions



The DIN Rail Dimmer Unit is capable of handling up to eight channels of 1A dimmed loads. The installer should make adequate consideration for the total current consumption when selecting power feed cables. It is recommended that multiple feed cables to be allowed for.

Notes:

1. A maximum of 10 C-Bus DIN Rail units (with 200mA power supply) can be connected to a single C-Bus network. A maximum of 100 "P" Suffix units may be interconnected.
2. The installer must fix mains cabling in the distribution board using cable ties or trunking as required by local wiring rules. Care must be taken not allow copper strands to enter DIN unit apertures.
3. Mains supply to the Control and switching Stages are NOT internally connected. Both must be wired from the SAME VOLTAGE PHASE. DO NOT CROSS NEUTRAL CONNECTIONS.

6.0 C-Bus DIN Rail Series Dimmer Features

6.1 Local Override Buttons

The buttons located on the front of the unit provide a means to toggle each channel locally at the unit. Each button is illuminated when the respective channel is in the ON state.

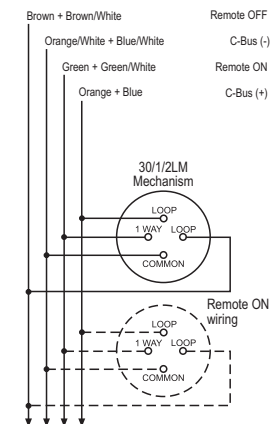
Operation	Function
Short Press	Toggle
Double-Click	Two Short Presses within 2 seconds will return this channel only to the C-Bus network level
Long Press	Pressing any of the local override buttons for longer than 2 seconds will return all channels to the C-Bus network level

Note that Double-Click and Long Press operations will only occur if the unit /channel is already in override mode.

C-Bus commands received by the unit will (by default) override local toggle changes. In this case, only the channels associated with the received commands will revert to the current C-Bus network state. This option may be disabled in software. Please refer to Section 7.0, Priority of Operating Modes.

6.2 Remote Override Facility

Remote control of all channels on a unit can be achieved via the extra pairs of conductors on the C-Bus connector. C-Bus is a balanced network and thus any point where C-Bus negative (-) is taken, C-Bus positive (+) must also be present. Hence both network conductors must be looped through all remote input switches on the network. The diagram shows that switches may be connected in parallel on any one network, using the green and green/white conductors for a remote ON function. Brown and brown/white may be wired in the same fashion for remote OFF, with these conductors being connected to C-Bus negative (-) via the switch to action this state. A Clipsal 30/1/2LM mechanism makes an ideal remote input switch.



6.3 Network Burden

The C-Bus DIN Rail Series Dimmer unit incorporates a software selectable Network Burden. This Burden may or may not be required in order to ensure correct operation of the C-Bus Network. The on-board Burden is enabled by setting the Unit Address to 001.

Important Note :

Always disable all PC Interface Network Burdens before installing C-Bus DIN range products that include a power supply (non "P" suffix versions). If a burden is required, use the built-in burden on the DIN Rail unit only!

6.4 Zero Crossing Filter

The incoming mains frequency is tracked and all harmonics of the fundamental frequency are filtered. A special algorithm ensures that lights do not flicker due to signal injections on the mains from the power authorities.

6.5 Thermal Shutdown

The C-Bus DIN Rail Dimmer Series products incorporate a temperature sensing device to monitor its own temperature. When the internal operating temperature of the unit exceeds approximately 70°C, all channels of the dimmer will be shut down. Dimmer levels are automatically restored once the over-temperature condition has been resolved, and the unit has cooled.

6.6 Linearised Brightness Control

In convention phase control dimmers, as the light is being dimmed, the rate in change of power delivered to the load is not linear. As a result, the change in brightness is more apparent when the light is at a lower brightness setting. The imbedded micro-controller in the C-Bus DIN Rail Dimmer uses an algorithm to ensure that this change in brightness is uniform throughout the control range.

6.7 Soft Turn On

Unlike conventional devices, where abrupt changes in brightness occur whenever a channel is switched ON or OFF, the micro-controller incorporated in the C-Bus DIN Rail Dimmer controls the rate of brightness change. This results in a soft brightness change, and is referred to as Soft Turn On and Soft Turn Off. The feature also helps to prolong the life of incandescent light fitting.

7.0 Priority of Operating Modes

The output status of a DIN Rail Series Dimmer unit can be changed by pressing a C-Bus Key, by activating any of the Local Override buttons, or by using the Remote Override facilities. The table below shows the priority ranking of these control inputs.

Mode	Priority	Function
Thermal Shutdown	1 (Highest)	Turns all channels OFF
Remote OFF	2	Turns all channels OFF
Remote ON	3	Turns all channels ON
Local Override	4*	Toggle the channel
C-Bus Input Unit (Key, PIR etc)	5* (Lowest)	Control the channel

*Local Override has priority over normal C-Bus commands received on the bus (such as those generated by pressing a C-Bus Key). By default, if any channel is in Local Override mode, and a C-Bus command received for that channel, then the C-Bus command state will be imposed ("Enable C-Bus Priority" option). This feature can be disabled in software such that all relevant C-Bus commands will be ignored by the unit whilst it is in Local Override Mode. Please refer to the C-Bus Manual (or C-Bus Manual Addendum V211A: C-Bus DIN and PRO Series) for further information relating to the programming of DIN Rail Dimmer Units.

8.0 Indicators

8.1 C-Bus Indicator

This indicator shows the status of the C-Bus Network at this unit. If sufficient network voltage and a valid C-Bus clock signal are present then the 'OK' signal will be displayed (continuous green light). If a network is connected which has more current load than the power supplies can support, then this indicator will flash to show a marginal network voltage. If there is no C-Bus clock present then this indicator will not light. When the unit is powered from C-Bus only for stand-alone programming, this indicator will not function.

Indicator Status	Meaning
On	C-Bus network operational
Flashing	Insufficient power to support network
Off	No C-Bus clock signal present; No mains connection

Further debugging of possible network problems can be achieved with the Clipsal C-Bus Network Analyser tool (5100NA).

8.2 Unit Indicator

This indicator shows the status of the individual unit. When mains is supplied to the unit 'OK' will be displayed (continuous green light). If any of the eight channels have been toggled (using Override facilities) into a state other than is present on the C-Bus network, this indicator will flash with a 90% ON duty cycle. This applies to either Local or Remote Override inputs. When the unit is powered from C-Bus only for stand-alone programming, this indicator will not function.

Indicator Status	Meaning
On	Normal operation
Flashing	Unit in override mode
Off	No mains connection

9.0 Power-Up Load Status

All C-Bus units have onboard non-volatile memory which is used to store the operating state of the unit in case of a power loss. On restoration of power, the DIN Rail Dimmer unit initiates a short power-up diagnostic (approximately 5 seconds). User programmable options then allow the relay status to be set as desired. Please refer to the C-Bus Manual (or C-Bus Manual Addendum V211A: C-Bus DIN and PRO Series) for further information relating to the programming of DIN Rail Dimmer Units.

10.0 C-Bus Power Requirements

The C-Bus DIN Rail Dimmer Unit draws 18mA from the C-Bus network when it is not connected to mains supply. With mains voltage connected, the unit supplies up to 200mA to the network, thus may provide power for up to 10 C-Bus Input Units connected to the same network.

The DIN Rail Dimmer unit is available in several different configurations. "P" Suffix variants (such as the 5508D1AP) do not include the 200mA power supply.

11.0 Stand-Alone Programming

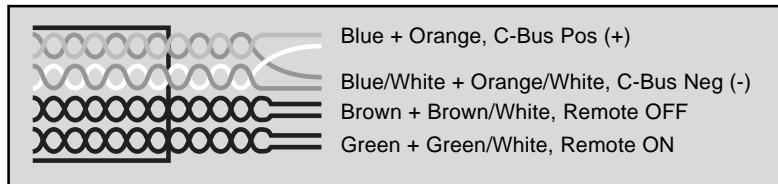
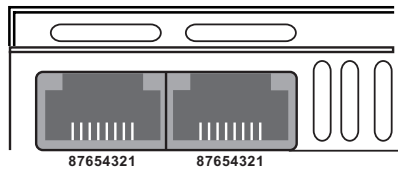
The 5508D1A series products can be programmed without a mains connection. The unit can be connected to any operational C-Bus network that is capable of supporting one or more extra C-Bus units (18mA current required). The unit can then be configured using C-Bus Installation Software. Indicators and dimmed outputs will only function when a mains connection is made.

12.0 Connection to the C-Bus Network

It is recommended that Category 5 data cable be used, Clipsal catalogue number 5508D1A. Installation of the 5508D1A products requires connection to the unshielded twisted pair C-Bus Network Cable. This connection is polarity sensitive, and is clearly shown in the diagram below.

A Clipsal 5508D1A Cat 5 UTP patch cord is included with the unit for easy inter-connection. No more than 10 x 5508D1A Series products should be connected to one physical C-Bus network. This may be extended to 100 products for "P" Suffix units.

Pin	Connection	Colour
1	Remote ON	Green/White
2	Remote ON	Green
3	C-Bus Neg (-)	Orange/White
4	C-Bus Pos (+)	Blue
5	C-Bus Neg (-)	Blue/White
6	C-Bus Pos (+)	Orange
7	Remote OFF	Brown/White
8	Remote OFF	Brown



13.0 Programming Requirements

As with other C-Bus units, the Dimmer Units must be programmed to set their unique identification and the mode of operation on the C-Bus Network. The C-Bus Installation Software can be used to configure all operational parameters including the specification of control sources, and power up options. Please refer to the C-Bus Manual (or C-Bus Manual Addendum V211A: C-Bus DIN and PRO Series) for further information relating to the programming of DIN Rail Dimmer Units.

14.0 Power Surges and Short Circuit Conditions

The mains voltage must be limited to the range specified for any unit which is mains powered. Each unit incorporates transient protection circuitry and additional external power surge protection devices should be used to enhance system immunity to power surges. It is strongly recommended that over-voltage equipment such as the Clipsal 970 series is installed at the switchboard.

15.0 Megger Testing

Megger testing of an electrical installation that has C-Bus units connected will not cause any damage to C-Bus units. Since C-Bus units contain electronic components, the installer should interpret megger readings with due regard to the nature of the circuit connection.

16.0 Important Warning

The use of any non C-Bus Software in conjunction with the hardware installation without the written consent of Clipsal Integrated Systems may void any warranties applicable to the hardware.

17.0 Standards Complied

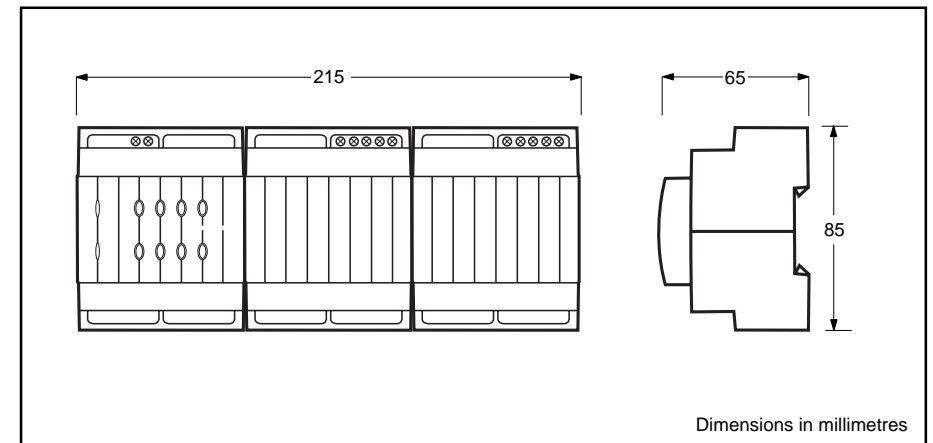
The units have been designed to meet Australian and European standards for EMC Compliance and Safety.

- AS/NZS 3100:1997 General Requirements for Electrical Equipment
- AS/NZS 3108:1994, IEC 742: 1983 Requirements for Safety Extra Low Voltage 97/32C/EE Low Voltage Directives
- AS/NZS 1044:1995, IEC/CISPR 14:1993, BS/EN 55014: 1994 RFI Emissions Standard
- AS/NZS 4051:1998, IEC/CISPR 15: 1996, BS/EN 55015: 1994 RFI Emissions Standard
- IEC 669-2-2, BS/EN 60669-2-2 Particular Requirements for Remote Control Switching Devices
- BS/EN 61000-4-2 Immunity to Electrostatic Discharge
- BS/EN 61000-4-3 Immunity to Radio Frequency Interference
- BS/EN 61000-4-4 Immunity to Electrical Fast Transients
- BS/EN 61000-4-5 Immunity to Surge Voltages
- BS/EN 61000-4-11 Immunity to Voltage Dips and Interruptions
- 89/336/EEC Electromagnetic Compatibility Directive

18.0 Product Specifications

Catalogue Number	5508D1A	5508D1AP	E5508TD1A	E5508TD1AP
Nominal Supply Voltage	220-240V-		110-120V-	
Frequency Range(s)	47-53Hz and 57-63Hz			
C-Bus Supply Voltage	15-36V DC @ 18mA required for programming when mains power is not connected Sources 200mA to the C-Bus network with mains power connected.	15-36V DC @ 18mA required for programming when mains power is not connected 15-36V DC @ 0mA for required programming when mains power is connected. Does not source current to the C-Bus network.	15-36V DC @ 18mA required for programming when mains power is not connected Sources 200mA to the C-Bus network with mains power connected.	15-36V DC @ 18mA required for programming when mains power is not connected. 15-36V DC @ 0mA for required programming when mains power is connected. Does not source current to the C-Bus network.
AC Input Impedance	50kΩ @ 1kHz A maximum of 10 units may be connected on a single C-Bus network	100kΩ @ 1kHz A maximum of 100 units may be connected on a single C-Bus network	50kΩ @ 1kHz A maximum of 10 units may be connected on a single C-Bus network	100kΩ @ 1kHz (A maximum of 100 units may be connected on a single C-Bus network)
Electrical Isolation	3.75kV RMS. from C-Bus to mains			
Status Indicators	C-Bus Voltage ≥ 20V DC Voltage < 20V DC Voltage < 15V DC Unit Status On Flashing Off Load Indicators (8) Load indicator is On when dimmer output is On.	Clock Present On Flashing Off Mains Power Present Present Fail	No Clock Present Off Off Off Conditions Normal Operation At least one channel in local or remote override mode Mains power not available	
Maximum Number of Units on a single C-Bus Network	10	100	10	100
Load Rating	1A	1A	1A	1A
Dimmer Type	Leading edge phase control.			
Compatible Loads	Suitable for incandescent, low voltage lighting and ceiling sweep fans (contact manufacturer). Suitable for electronic transformers compatible with leading edge dimmers.			
Quiescent Power	10 Watts			
Warm Up Time	5 seconds			
Power-Up Delay	0 seconds - 33 minutes and 30 seconds			
Network Clock	Software selectable			
Network Burden	Software selectable (Unit Address 01 only)			
Dimensions	215 x 85 x 65mm			
Remote Override Input	Remote switch input can be daisy chained to a maximum of 10 units and a maximum of 1000m of cable	Remote switch input can be daisy chained to a maximum of 100 units and a maximum of 1000m of cable	Remote switch input can be daisy chained to a maximum of 10 units and a maximum of 1000m of cable	Remote switch input can be daisy chained to a maximum of 100 units and a maximum of 1000m of cable
Mains Terminals	Accommodates 2 x 1.5mm ² or 1 x 2.5mm ²			
Weight	675g			
C-Bus Connection	RJ45 socket			
Remote Override Connection	RJ45 socket			
Operating Temperature Range	0 - 45°C			
Operating Humidity Range	0 - 95% RH			

19.0 Mechanical Specifications



No user serviceable parts inside